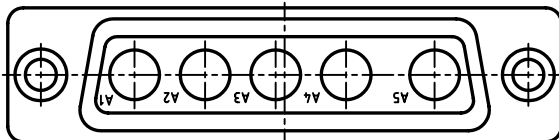
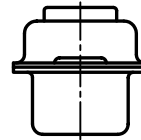
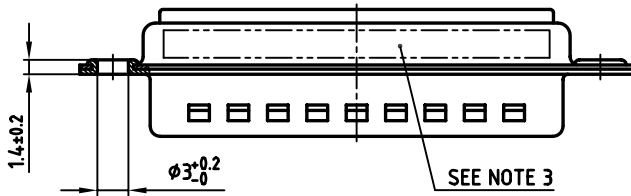
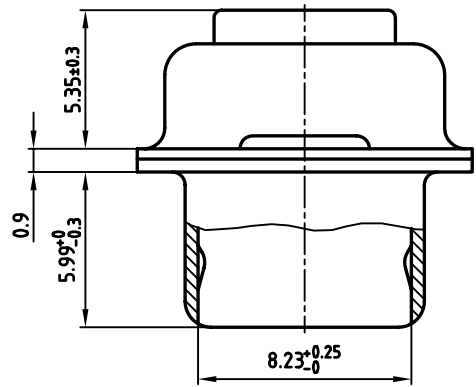
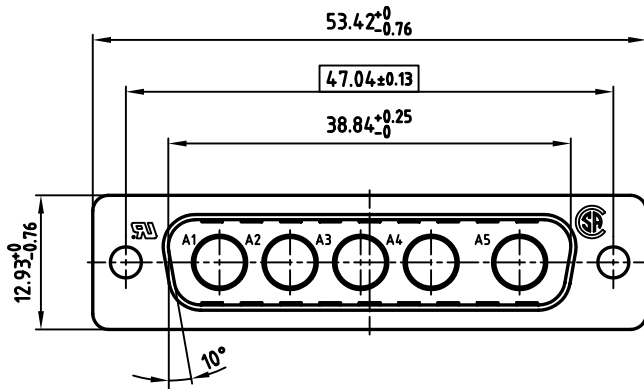


used for: D-SUB COMBINATION

5:1



**NOTES:**

1. METAL SHELLS: STEEL; TIN PLATED
2. INSULATOR: PBT GF, UL 94 V-0; GREEN
3. CONNECTOR IS PART MARKED: PART NO: CONEC Y/WW
4.    = CRITICAL DIMENSION



THIS DRAWING MAY NOT BE COPIED OR REPRODUCED IN ANY WAY, AND MAY NOT BE PASSED ON TO A THIRD PARTY, WITHOUT WRITTEN PERMISSION. OWNERSHIP AND COPYRIGHT OF CONEC GMBH DO NOT ALTER CAD DRAWING BY HAND

tolerance		scale: 2:1 (5:1)
material:		SEE NOTES
1998 date name	drawn 09.11. Barcinski	title: <b>D-SUB COMBINATION MALE</b> 5W5P WITHOUT CONTACTS
	appd. 09.11. Mickenbecker	
	norm	
	d-old	
dwg no:	AutoCAD/REL.13	DIN-A
	<b>13K11K6A</b>	3
part no:	<b>3005W5PXX99A10X</b>	
rev. description date name		sh: 1/1